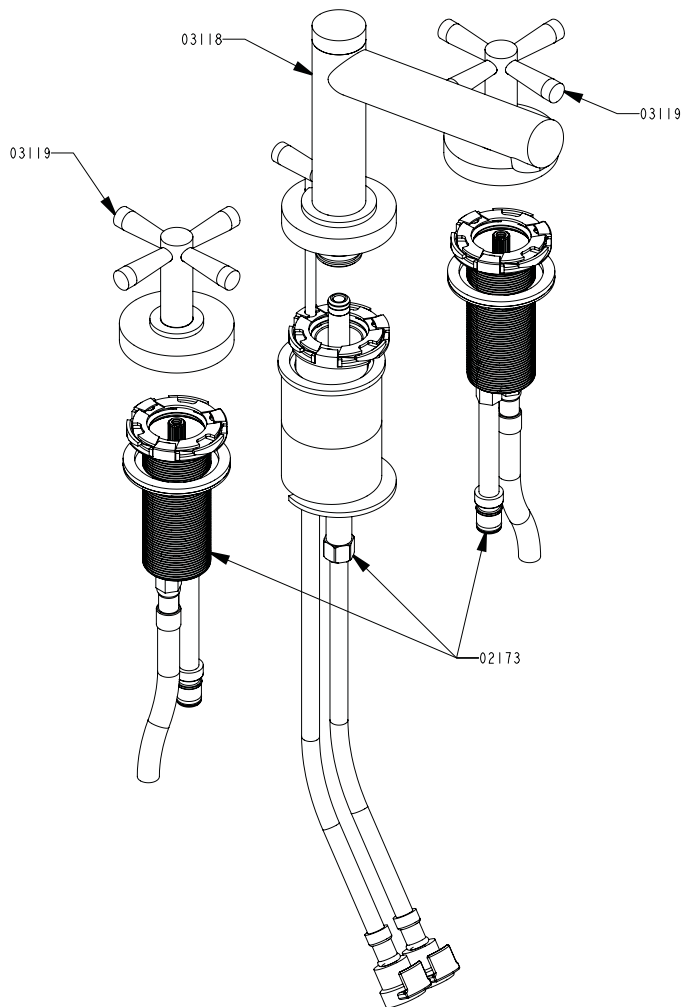


Image NOT to Scale



We reserve the right to make revisions without notice in the design of fixtures or in packaging unless this right has specifically been waived at the time the order is accepted.

This product meets ANSI/NSF Standard 61, Sect. 9,
Safe Drinking Water Act - Lead Content and Leaching

FINISHES

- 008 - POLISHED COPPER LACQUERED
- 009 - POLISHED COPPER
- 010 - OIL RUBBED BRONZE
- 014 - ANTIQUE NICKEL LACQUERED
- 015 - POLISHED NICKEL
- 018 - BRUSHED NICKEL
- 026 - POLISHED CHROME
- 027 - MATTE CHROME
- 028 - BRUSHED CHROME

waterdecor

For technical information please call 877.222.9644 or
fax 626.744.0377

REPLACEMENT PART ORDER FORM FOR INSTALLERS/PLUMBERS

This item was purchased through

◀ For all warranty related claims
please contact your local/authorized
showroom.

Please fax order form to the fax number listed above.

Name: Company:

Phone:

What finish was the item(s) purchased in?

Please list item(s) and quantities in table below.

ITEM #	QTY.

Please enter shipping address

.....
.....
.....
.....

Method of Shipping

- Next Day Air
- 2nd Day Air
- 3rd Day Air
- Ground

FOR AUTHORIZED DEALERS ONLY

Your PO# _____ For pricing please visit www.waterdecor.com or call us at 877.222.9644.

Please fax this form to waterdecor™ at 626.744.0377