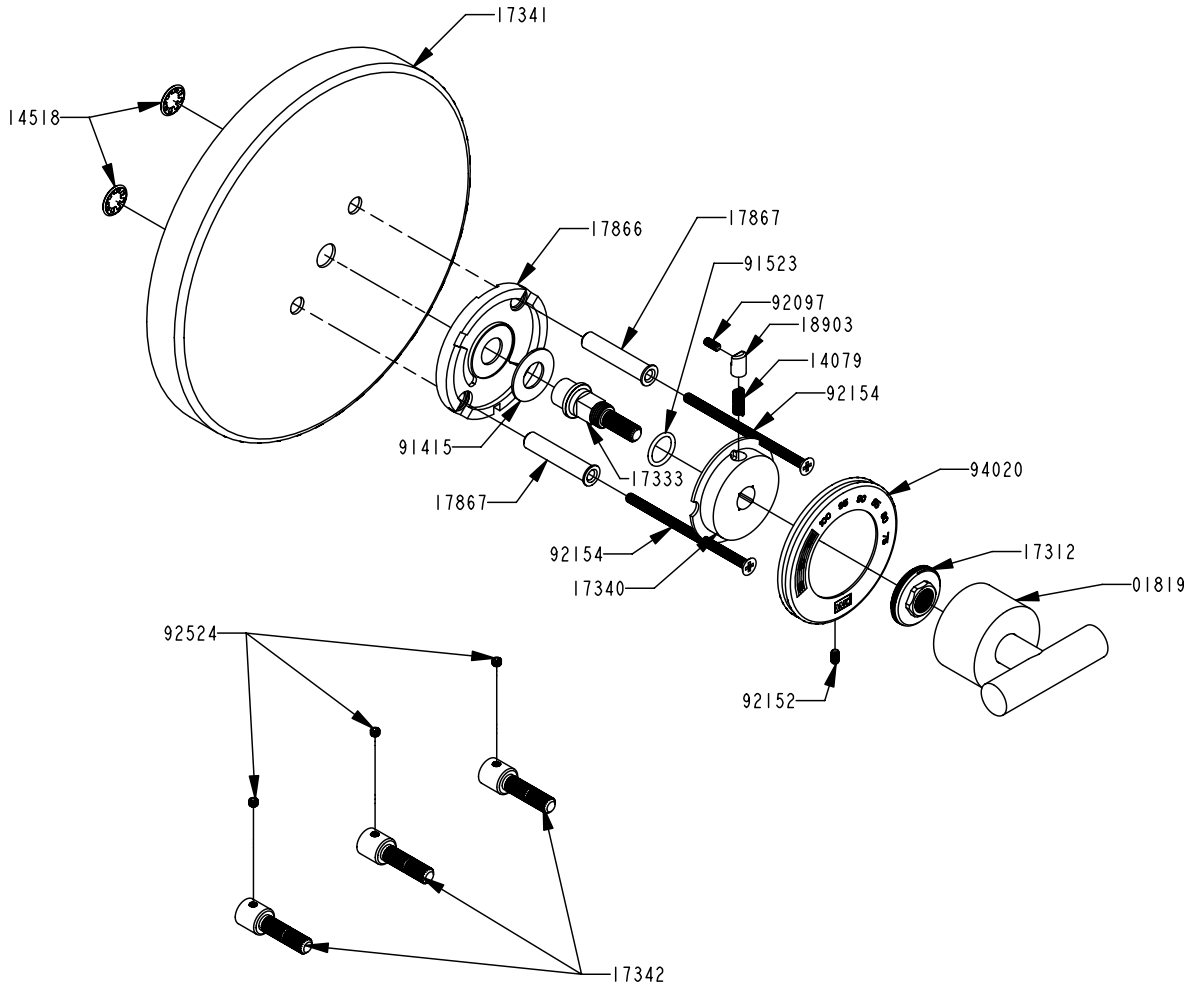


Image NOT to Scale



We reserve the right to make revisions without notice in the design of fixtures or in packaging unless this right has specifically been waived at the time the order is accepted.

This product meets ANSI/NSF Standard 61, Sect. 9, Safe Drinking Water Act - Lead Content and Leaching

FINISHES

- 008 - POLISHED COPPER LACQUERED
- 009 - POLISHED COPPER
- 010 - OIL RUBBED BRONZE
- 014 - ANTIQUE NICKEL LACQUERED
- 015 - POLISHED NICKEL
- 018 - BRUSHED NICKEL
- 026 - POLISHED CHROME
- 027 - MATTE CHROME
- 028 - BRUSHED CHROME

waterdecor

For technical information please call 877.222.9644 or fax 626.744.0377

REPLACEMENT PART ORDER FORM FOR INSTALLERS/PLUMBERS

This item was purchased through

[Empty box for purchase source information]

For all warranty related claims please contact your local/authorized showroom.

Please fax order form to the fax number listed above.

Name: Company:

Phone:

What finish was the item(s) purchased in?

Please list item(s) and quantities in table below.

Table with 2 columns: ITEM #, QTY. (Empty table for item listing)

Please enter shipping address

[Dotted lines for shipping address input]

Method of Shipping

- Next Day Air
2nd Day Air
3rd Day Air
Ground

FOR AUTHORIZED DEALERS ONLY!!!

Your PO# For pricing please visit www.waterdecor.com or call us at 877.222.9644.

Please fax this form to waterdecor™ at 626.744.0377