

## Limited Lifetime Warranty

**Waterdecor** Inc. provides limited lifetime warranty to the original purchaser on all mechanical parts to be free from manufacturing defects in material and workmanship under normal use. If any material proves to be defective after inspection by **waterdecor** Inc. it will, at its' election repair, replace, or make appropriate adjustments at our discretion at no additional charge. However, no claims for labor, shipping costs, or consequential damages will be accepted. **Waterdecor** Inc. is not responsible for removal or installation costs.

This warranty applies only when goods are used for purposes and conditions for which they are intended. This warranty is voided by improper installation or by any modification or alteration of **waterdecor** Inc. products.

**Finish Warranty:** A limited lifetime warranty is provided on all **waterdecor** Inc. product finishes to the original purchaser against manufacturing defects in material and workmanship. Use of any lead based or acidic curing sealant or the use of acids, abrasives or detergents to clean **waterdecor** Inc. products will void the finish warranty. Use only sealants which are natural curing and not reactive with metal or brass finishes.

The responsibility of **waterdecor** Inc. shall not exceed the purchase price of the item. To obtain warranty service, contact the dealer that the product was purchased through. To the extent permitted by law, all implied warranties, including those of merchantability and fitness for as particular purpose, are hereby disclaimed. **Waterdecor** Inc. disclaims all liability for special, incidental, or consequential damages.

This warranty gives you specific legal rights. You may also have other rights which vary from state to state.

This is our exclusive written warranty.

---

---

We at **waterdecor** believe that the beauty of our faucets should last a lifetime. With minimal care your Water Decor faucet will look terrific for years to come.

It helps if the product is wiped down with a soft towel after each use to prevent water spotting and mineral deposit build up.

The faucets can also be cleaned with a non-ammoniated spray cleaner or mild soap and water.

---

**waterdecor**<sup>™</sup>

13832 Magnolia Ave

Chino • California 91710

Tel: 877.222.9644 • Fax: 626.744.0377

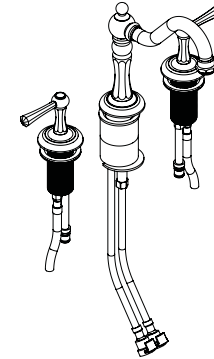
E-mail: info@**waterdecor**.com

08807-080

Grand Petite Traditional Widespread Lavatory Faucet Complete

---

## waterdecor INSTALLATION GUIDE

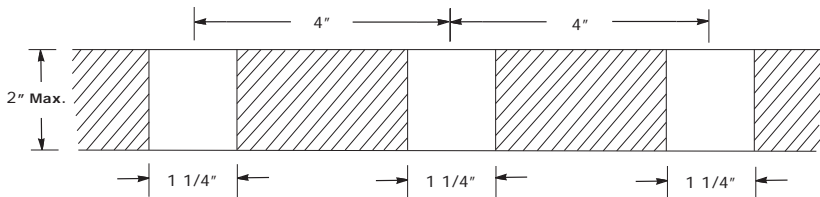


# Grand Petite Traditional Widespread Lavatory Faucet Complete

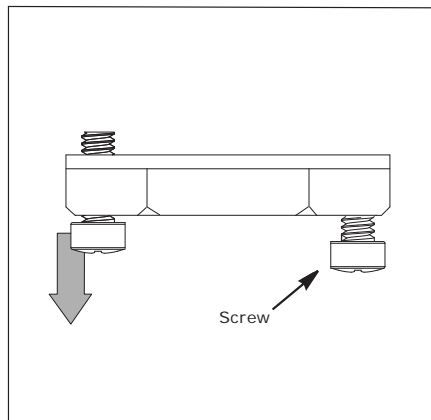
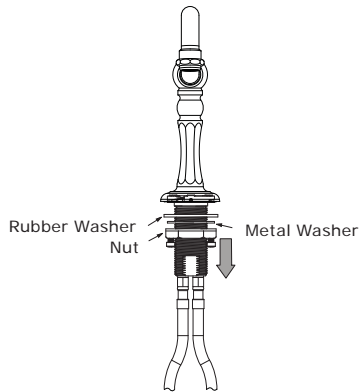
## IMPORTANT SHUT OFF WATER SUPPLY BEFORE BEGINNING INSTALLATION

### Installation Instructions

**1 ::** Drill three holes that are 1 1/4 in. in diameter into counter top, leaving 4 in. wide gaps in between the centers of each hole.

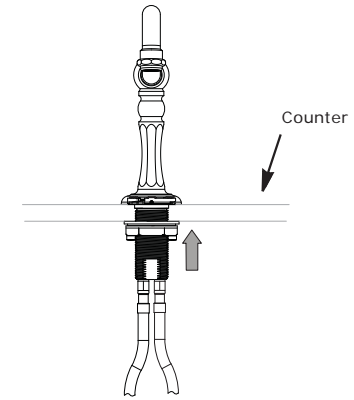


**2 ::** Remove the nut and metal and rubber washers from each of the assemblies by loosening the nut downwards. Back out the screws on each nut so that the tip is leveled with the surface of the nut.

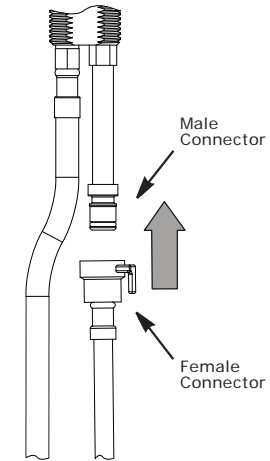


**3 ::** Place spout assembly into the center hole and handle assemblies into outer holes.

**4 ::** Replace nut and metal and rubber washers back onto roughs and hand tight-against underside of counter. Using a philips screwdriver, tighten the screws on the nut to secure faucet.



**5 ::** Connect the plastic female connectors at the end of each spout hose into each of the handle assembly brass male connectors by pushing the connectors until it clicks into place.



**6 ::** Connect the hot and cold supply lines to the corresponding angle stops.

