

Limited Lifetime Warranty

Waterdecor Inc. provides limited lifetime warranty to the original purchaser on all mechanical parts to be free from manufacturing defects in material and workmanship under normal use. If any material proves to be defective after inspection by **waterdecor** Inc. it will, at its' election repair, replace, or make appropriate adjustments at our discretion at no additional charge. However, no claims for labor, shipping costs, or consequential damages will be accepted. **Waterdecor** Inc. is not responsible for removal or installation costs.

This warranty applies only when goods are used for purposes and conditions for which they are intended. This warranty is voided by improper installation or by any modification or alteration of **waterdecor** Inc. products.

Finish Warranty: A limited lifetime warranty is provided on all **waterdecor** Inc. product finishes to the original purchaser against manufacturing defects in material and workmanship. Use of any lead based or acidic curing sealant or the use of acids, abrasives or detergents to clean **waterdecor** Inc. products will void the finish warranty. Use only sealants which are natural curing and not reactive with metal or brass finishes.

The responsibility of **waterdecor** Inc. shall not exceed the purchase price of the item. To obtain warranty service, contact the dealer that the product was purchased through. To the extent permitted by law, all implied warranties, including those of merchantability and fitness for as particular purpose, are hereby disclaimed. **Waterdecor** Inc. disclaims all liability for special, incidental, or consequential damages.

This warranty gives you specific legal rights. You may also have other rights which vary from state to state.

This is our exclusive written warranty.

We at **waterdecor** believe that the beauty of our faucets should last a lifetime. With minimal care your Water Decor faucet will look terrific for years to come.

It helps if the product is wiped down with a soft towel after each use to prevent water spotting and mineral deposit build up.

The faucets can also be cleaned with a non-ammoniated spray cleaner or mild soap and water.

waterdecor[™]

13832 Magnolia Ave

Chino • California 91710

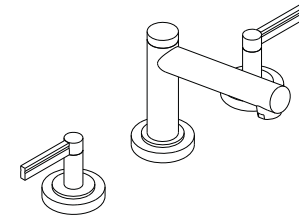
Tel: 877.222.9644 • Fax: 626.744.0377

E-mail: info@**waterdecor**.com

07708-085

Grand Petite Contemporary Widespread Lavatory Trim

waterdecor
INSTALLATION GUIDE

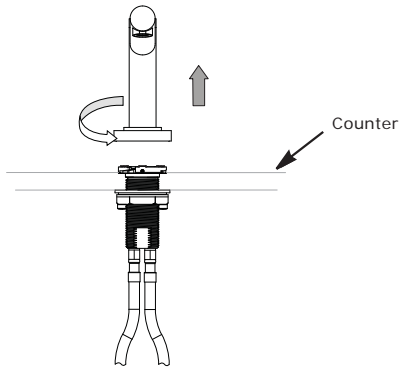


Grand Petite Contemporary Widespread Lavatory Trim

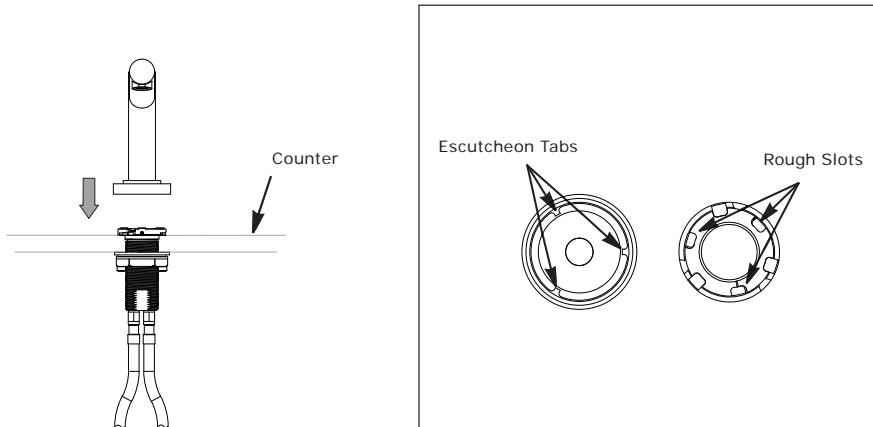
IMPORTANT
SHUT OFF WATER SUPPLY BEFORE BEGINNING INSTALLATION

Installation Instructions

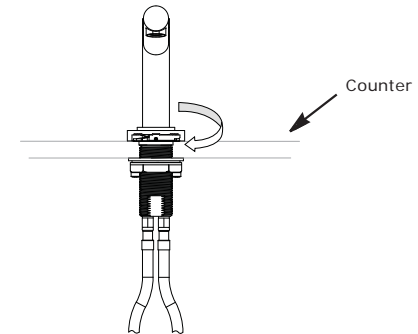
1 :: Remove the old spout and handles from the roughs by turning the escutcheon counter clockwise and pulling it out.



2 :: Place the new spout onto the center rough and the new handles onto outer roughs. Be sure that the 3 tabs underneath the escutcheons line up with the 3 slots at the top of the rough.



3 :: Turn the escutcheons clockwise until they click into place.



4 :: Before using the faucet, test to see if assembly is working properly by turning the handles on and off.