

## Limited Lifetime Warranty

Water Decor Inc. provides limited lifetime warranty to the original purchaser on all mechanical parts to be free from manufacturing defects in material and workmanship under normal use.

If any material proves to be defective after inspection by Water Decor Inc. it will, at its' election repair, replace, or make appropriate adjustments at our discretion at no additional charge. However, no claims for labor, shipping costs, or consequential damages will be accepted. Water Decor Inc. is not responsible for removal or installation costs.

This warranty applies only when goods are used for purposes and conditions for which they are intended. This warranty is voided by improper installation or by any modification or alteration of Water Decor Inc. products.

**Finish Warranty:** A limited lifetime warranty is provided on all Water Decor Inc. product finishes to the original purchaser against manufacturing defects in material and workmanship. Use of any lead based or acidic curing sealant or the use of acids, abrasives or detergents to clean Water Decor Inc. products will void the finish warranty. Use only sealants which are natural curing and not reactive with metal or brass finishes.

The responsibility of Water Decor Inc. shall not exceed the purchase price of the item.

To obtain warranty service, contact the dealer that the product was purchased through.

To the extent permitted by law, all implied warranties, including those of merchantability and fitness for as particular purpose, are hereby disclaimed. Water Decor Inc. disclaims all liability for special, incidental, or consequential damages.

This warranty gives you specific legal rights. You may also have other rights which vary from state to state.

This is our exclusive written warranty.

---

This product meets ANSI/NSF Standard 61, Sect. 9, Safe Drinking Water Act - lead content and leaching

---

We at Water Decor believe that the beauty of our faucets should last a lifetime. That is the reason we only use polished chrome and PVD finishes. With minimal care your Water Decor faucet will look terrific for years to come.

It helps if the product is wiped down with a soft towel after each use to prevent water spotting and mineral deposit build up.

The faucets can also be cleaned with a non-ammoniated spray cleaner or mild soap and water.

---

03302-090

03302-292

03302-393

03302-494

---

## Bridge 8" Widespread Lavatory Faucet

---

**waterdecor**  
INSTALLATION GUIDE

**waterdecor**

3579 East Foothill Boulevard • Suite 418

Pasadena • California 91107

Tel: 877.222.9644 • Fax: 626.744.0377

E-mail: [info@waterdecor.com](mailto:info@waterdecor.com)

# IMPORTANT SHUT OFF WATER SUPPLY BEFORE BEGINNING INSTALLATION

**TOOLS NEEDED** :: 12" pipe wrench, large adjustable wrench.



IMPORTANT PLEASE READ INSTRUCTION BEFORE INSTALLATION

SHUT OFF WATER SUPPLY BEFORE BEGINNING INSTALLATION!

THE SPOUT ASSEMBLY IS HEAVY, PLEASE HANDLE WITH CARE.

THIS IS A SPACE-LIMITED JOB, ALWAYS WEAR GOGGLE AND WATCH FOR POSSIBLE FALLING OBJECTS THAT MAY CAUSE PARTS DAMAGE OR BODY INJURY.

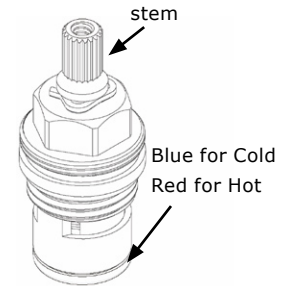
DO NOT USE PIPE WRENCH ON FINISHED SURFACES.

DO NOT USE ANY "PLUMBERS PUTTY" OR ANY OIL BASED SEALANT. USE OF ANYTHING OTHER THAN SILICON SEALANT MAY DISCOLOR THE SURFACE AND WILL VOID THE FINISH WARRANTY.

## HOW TO REPLACE CARTRIDGE

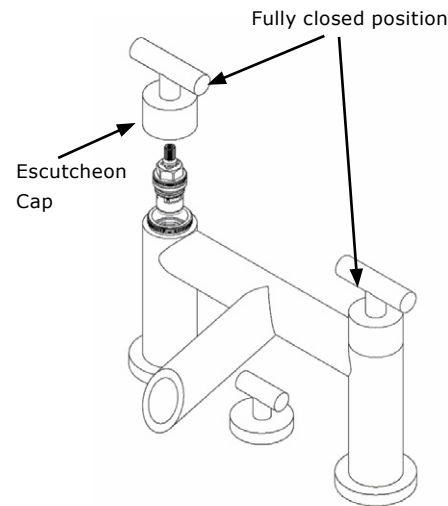
It's important to shut off the main water supply before disassembling. Hire experienced, certified plumber is strongly recommended. If you have any questions, please call us at (877) 222-9644 for assistance.

Be sure to have the right cartridge. The cartridge for cold side is coming with a blue sealing washer at the bottom of it, whereas the one for hot side is coming with a red sealing washer.



Remove the handle by turning the escutcheon cap counterclockwise and pull it off. Unscrew the old cartridge off by using an adjustable wrench. Install the correct cartridge at the correct location, cold at left and hot at right. Use the adjustable wrench to tighten the cartridge, but be aware not to overtighten it.

Before putting the handle back, turn on water supply to test. Use hand or the handle, without screwing it on, to turn the stem for a fully open & a fully close position and make sure the new cartridge works well.



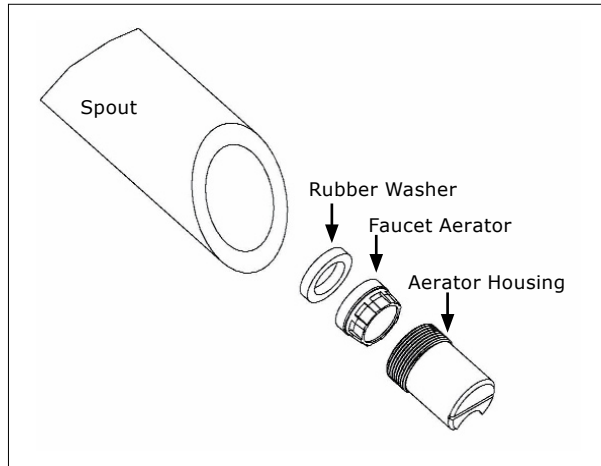
Make sure the cartridge is at its fully close position and put the handle back on. Align the two handles horizontally. Gently push the handle in and turn the escutcheon cap clockwise by hand.

It is a good idea on new construction to pull the aerator and flush the lines.

To clean the aerator insert a large flat bladed screwdriver into the slot on the aerator housing and turn counter clockwise to remove.

Rinse out the screen and any debris in the housing.

Replace the rubber washer, aerator and housing making sure that the notch in the housing is pointing straight down when finished.

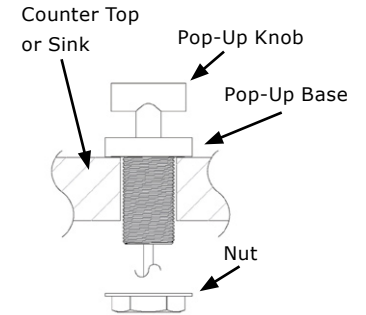


## 1 :: Install Pop-Up Base

Unscrew the nut from the pop-up base.

Locate the center hole on the sink or counter top.

Insert the pop-up base from the top through the center hole. Tighten the nut from the bottom of the pop-up base. Insert the pop-up knob into the pop-up base.



## 2 :: Install the Drain into Sink

Take out drain stopper and keep it aside.

Unscrew the drain from the drain assembly. Keep the flange washer in place.

Remove the cone rubber washer, plastic washer, and unscrew the nut off.

Install drain with flange washer from the top of the sink into the hole of the sink.

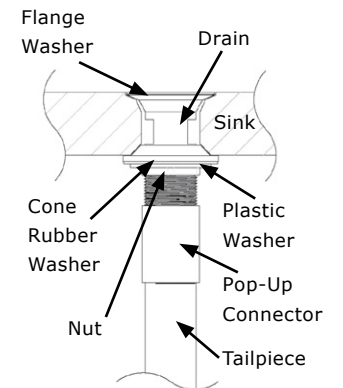
Place cone rubber washer back from the bottom of the drain. Make sure the cone shape is upward and is inserted evenly, without any jerks, into the back hole of the sink.

Put on the plastic washer and tighten the nut to secure the drain.

Unscrew the tailpiece off from the pop-up connector. And insert the tailpiece into the drain pipe (not included).

Install the pop-up connector by connecting it, onto the bottom of the drain (DO NOT OVERTIGHTEN). Make sure the hole, which is for assembling with pop-up ball rod, is facing backward. Adjust by loosening the nut if necessary.

Slide up the tailpiece and connect it to the pop-up connector. Secure all the drain connections.



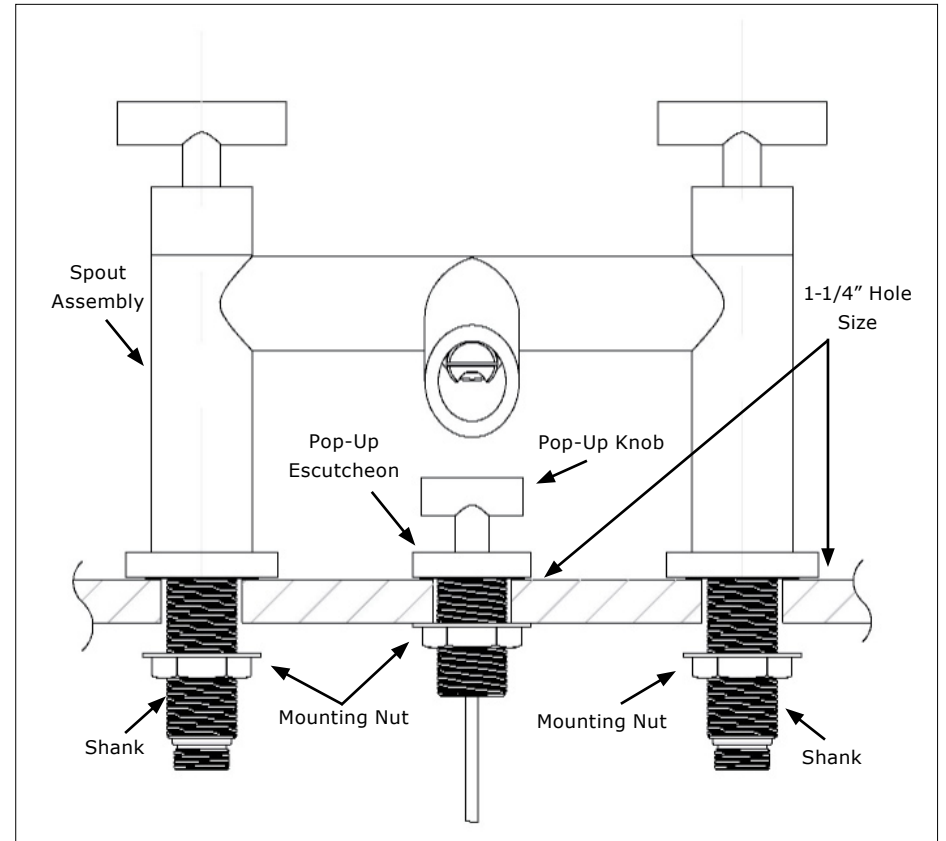
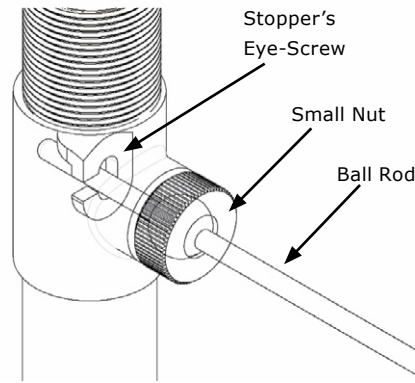
Insert drain stopper from top of the sink into drain.

Unscrew the small nut from drain, insert ball rod in. Make sure that the short end of ball rod fits in the stopper eye-screw hole.

Put the small nut back and tighten it up, NOT over tight. Be sure that ball rod must be moved up and down freely.

Connect ball rod and lift rod by inserting lift rod into ball rod's clamp lock. Adjust to the appropriate height and then tighten the clamp lock's screw.

NOTE: It may be necessary to cut the length of the "Ball Rod" if it is too close to the wall or cabinet.



### 3 :: Install Spout Assembly

Install faucet body into 8" center holes. CAUTION!!! The spout is heavy. Please handle with care.

Install and tighten both nuts on the bottom of the faucet body. Connect supply hoses to faucet body (supply hoses are not included). Connecting the other end of the hoses to the water supply valves.