

## Limited Lifetime Warranty

**Waterdecor** Inc. provides limited lifetime warranty to the original purchaser on all mechanical parts to be free from manufacturing defects in material and workmanship under normal use. If any material proves to be defective after inspection by **waterdecor** Inc. it will, at its' election repair, replace, or make appropriate adjustments at our discretion at no additional charge. However, no claims for labor, shipping costs, or consequential damages will be accepted. **Waterdecor** Inc. is not responsible for removal or installation costs.

This warranty applies only when goods are used for purposes and conditions for which they are intended. This warranty is voided by improper installation or by any modification or alteration of **waterdecor** Inc. products.

**Finish Warranty:** A limited lifetime warranty is provided on all **waterdecor** Inc. product finishes to the original purchaser against manufacturing defects in material and workmanship. Use of any lead based or acidic curing sealant or the use of acids, abrasives or detergents to clean **waterdecor** Inc. products will void the finish warranty. Use only sealants which are natural curing and not reactive with metal or brass finishes.

The responsibility of **waterdecor** Inc. shall not exceed the purchase price of the item. To obtain warranty service, contact the dealer that the product was purchased through. To the extent permitted by law, all implied warranties, including those of merchantability and fitness for as particular purpose, are hereby disclaimed. **Waterdecor** Inc. disclaims all liability for special, incidental, or consequential damages.

This warranty gives you specific legal rights. You may also have other rights which vary from state to state.

This is our exclusive written warranty.

---

This product meets ANSI/NSF Standard 61, Sect. 9, Safe Drinking Water Act - lead content and leaching

---

We at **waterdecor** believe that the beauty of our faucets should last a lifetime. With minimal care your Water Decor faucet will look terrific for years to come.

It helps if the product is wiped down with a soft towel after each use to prevent water spotting and mineral deposit build up.

The faucets can also be cleaned with a non-ammoniated spray cleaner or mild soap and water.

---

**waterdecor**<sup>™</sup>

3579 East Foothill Boulevard • Suite 418  
Pasadena • California 91107

Tel: 877.222.9644 • Fax: 626.744.0377

E-mail: info@**waterdecor**.com

02201-012

02201-014

Nirvana Single Side Handle Lavatory Faucet

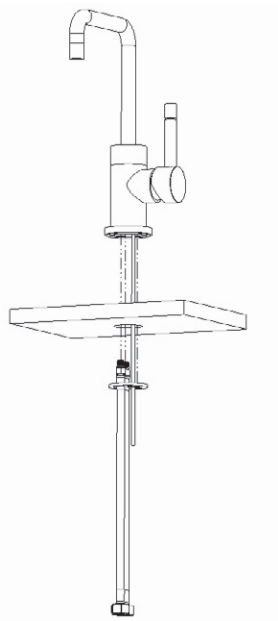
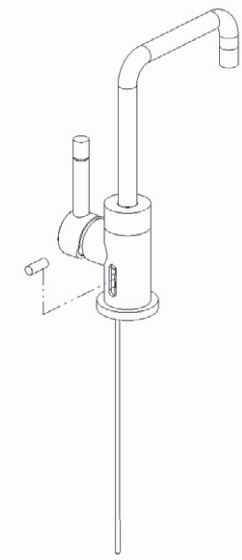
---

**waterdecor**  
INSTALLATION GUIDE

**IMPORTANT  
SHUT OFF WATER SUPPLY BEFORE BEGINNING INSTALLATION**

**1 ::** Insert the Pop-up Rod into the Faucet and screw on the Pop-up Lever as shown.

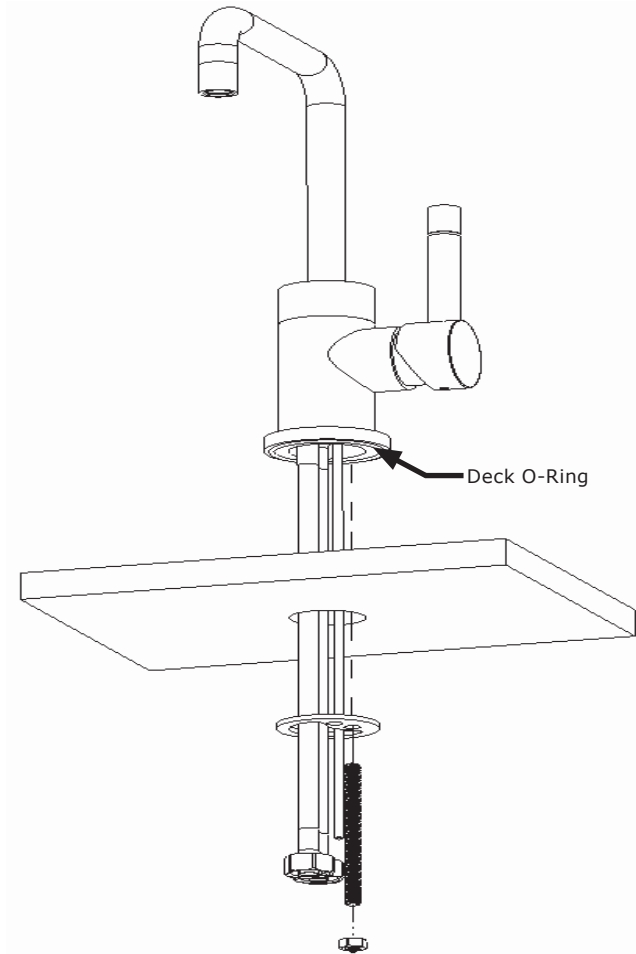
**NOTE:** The Pop-up Rod should pass through the large Mounting Plate opening.



**2 ::** Insert both Flex Lines. Be sure to place the Mounting Plate onto the Flex Lines before assembling them into the faucet.

**3 ::** Constrain the Faucet to the deck using the Threadall, Mounting Plate and Hex Nut.

**NOTE:** Make sure the Deck O-ring is in place.



**4 ::** Complete the assembly by connecting the Flex Lines to water and by connecting the Pop Up Rod to the drain assembly.

**NOTE:** The forward Flex Line should be the cold-water connection. This will result in cold-water output when the handle is in the forward position.